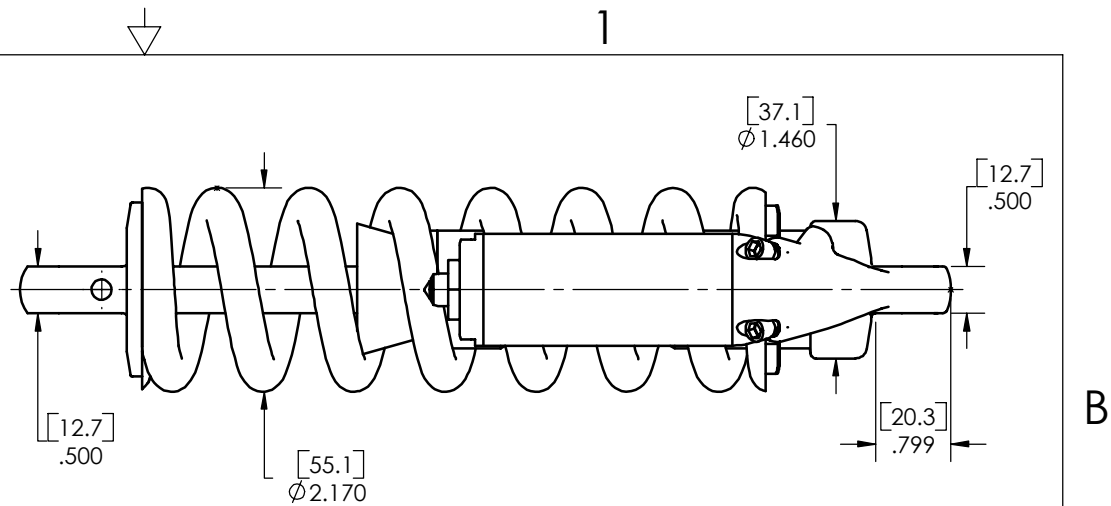
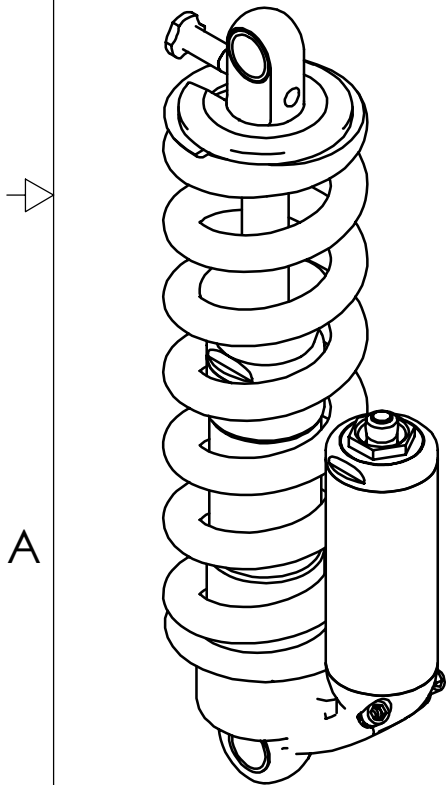


(A) EYE TO EYE		(B) STROKE		(C) RESERVOIR		SPRING RATE*
IN	MM	IN	MM	IN	MM	LB/IN
6.500	165.1	1.50	38.1	4.72	119.9	350 - 550
7.500	190.5	2.00	50.8	4.87	123.7	250 - 550
7.875	200.0	2.00	50.8	4.87	123.7	250 - 550
7.875	200.0	2.25	57.2	4.99	126.8	350 - 550
8.000	203.2	2.25	57.2	4.99	126.8	350 - 550
8.500	215.9	2.50	63.5	5.12	130.0	225 - 475
8.750	222.3	2.75	69.9	5.12	130.0	350 - 550
9.000	228.6	2.75	69.9	5.12	130.0	350 - 550
9.500	241.3	3.00	76.2	5.12	130.0	350 - 550



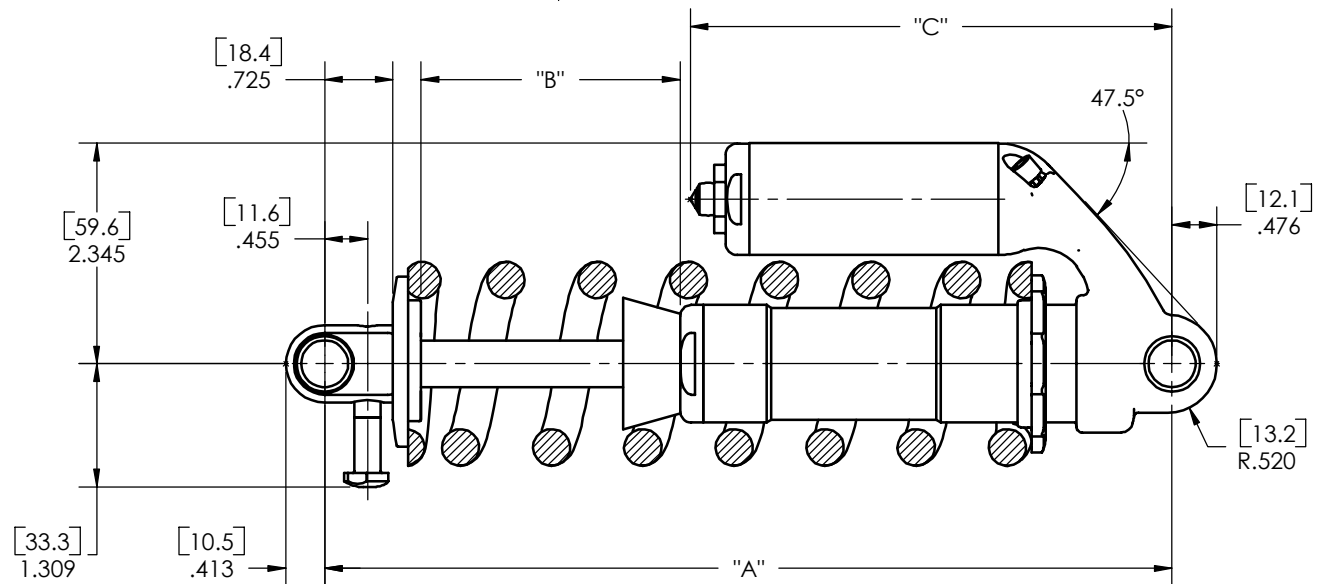
B

B



A

A



DIMENSIONS ARE IN INCHES UNLESS SPECIFIED OTHERWISE. DIMENSIONS IN [] ARE IN MILLIMETERS.

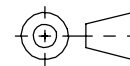
* SPRING RATES ARE IN INCREMENTS OF 50 LB/IN.

REBOUND ADJUSTER KNOB OPTIONAL BY REQUEST ONLY.

PROGRESSIVE SUSPENSION RESERVES THE RIGHT TO CHANGE SPECIFICATIONS WITHOUT NOTICE.

PROGRESSIVE SUSPENSION

Copyright © 1998 by Progressive Suspension Inc. All Rights Reserved. Information contained herein is proprietary information and may be used with express permission from Progressive Suspension Inc.



SPECIFICATION OF 5TH ELEMENT, MTB

SIZE A	SCALE 1:2	DRAWING NO. 7100-127	DATE 4/8/02	REV A
APPROVED BY:		DRAWN BY: JBC		SHEET 1 OF 1

2



1